



# Eco Route

**ENVIRONMENTAL CONSULTANCY**

REGISTRATION NO. 1998/031976/23

DR. COLLEEN EBERSOHN

PhD Univ. Pretoria

Cell: 072 222 6013

e-mail: [colleen@ecoroute.co.za](mailto:colleen@ecoroute.co.za)

MS. JANET EBERSOHN

Bsc. Hons. Environmental Management

Cell: 082 557 7122

Tell: 044 343 2232

e-mail: [janet@ecoroute.co.za](mailto:janet@ecoroute.co.za)

---

## APPENDIX D – DESIGNS

NOTE:  
1. ALL DIMENSIONS TO BE CHECKED ON SITE BEFORE ANY WORK IS PUT IN HAND. REFER ANY DISCREPANCIES TO THE ENGINEER.



DESIGNED	J HOUGH	SIGNED	SMEC South Africa	13 Progress St George 6520 George 6520 T: (044) 875-0231 F: (044) 875-0261 www.smecc.com	191 Marsh Street Mossel Bay 6500 Mossel Bay 6500 T: (044) 656 5500 F: (044) 656 5502 www.mosselbay.gov.za	Mossel Bay Municipality	SIGNED	DATE
CHECKED	B BARTLETT	DATE						
DRAWN	S HILOMELA	DATE						
CHECKED	J HOUGH	DATE						
NO.	AB00	DATE	10-03-2023	DESCRIPTION	DRAWING ISSUED FOR DISCUSSION	INITIAL	JH	
REVISIONS								

SCALE	AS SHOWN
PROJECT DRAWING NUMBER	C1946 - 200 - 001
REV	AB00
SHEET No.	01 OF 01

SIZE	A1
------	----

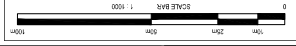
FOR DISCUSSION

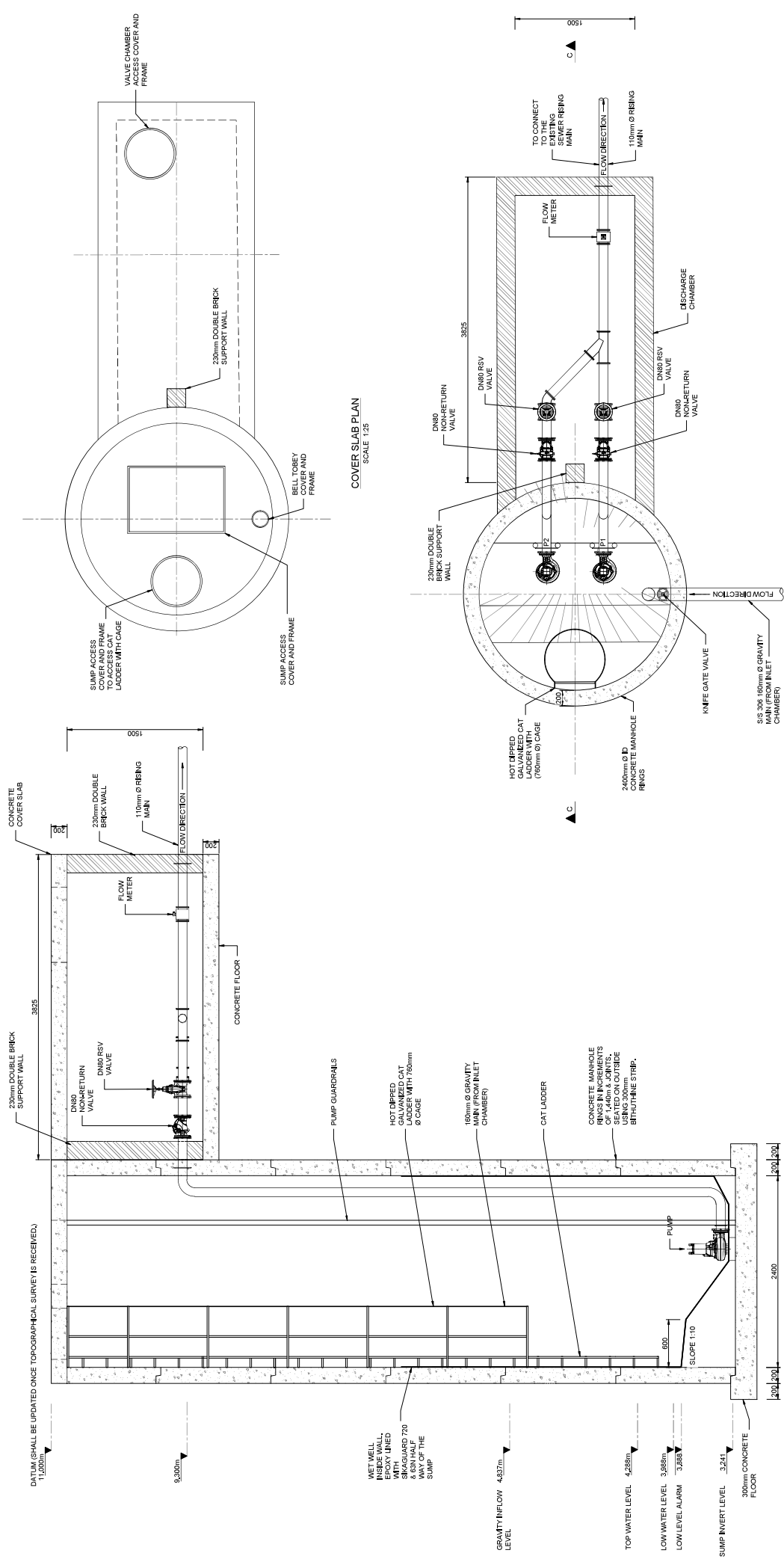
KEY MATRIX 1:5000

LOCALITY PLAN 1:10 000



**NOTE:**  
 1. ALL DIMENSIONS TO BE CHECKED ON SITE BEFORE ANY WORK IS PUT IN HAND. REFER ANY DISCREPANCIES TO THE ENGINEER.  
 2. ALL LEVELS ARE CALCULATED FROM APPROXIMATE DATUM LEVEL.



REVISIONS	NO.	DATE	DESCRIPTION	INITIAL	CHECKED	DRAWN	DESIGNED
	AB00	10-03-2023	DRAWING ISSUED FOR APPROVAL	JH			
					J ROUGH	S HILOMELA	J ROUGH
					B BARTLETT	S HILOMELA	B BARTLETT
							J ROUGH

DESIGNED	J ROUGH
CHECKED	B BARTLETT
DRAWN	S HILOMELA
CHECKED	J ROUGH

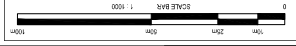
SMEEC	13 Progress St George 6220	Private Bag 229 Mossel Bay 6500	191 Marsh Street Mossel Bay 6500
Member of the Southern Jointing Group	Tel (041) 877-0228 email: admin@smeecc.com website: www.smeecc.com	Tel (041) 877-0228 email: admin@mosselbay.co.za Fax (041) 877-0286 website: www.mosselbay.co.za	Tel (041) 877-0228 email: admin@mosselbay.co.za Fax (041) 877-0286 website: www.mosselbay.co.za

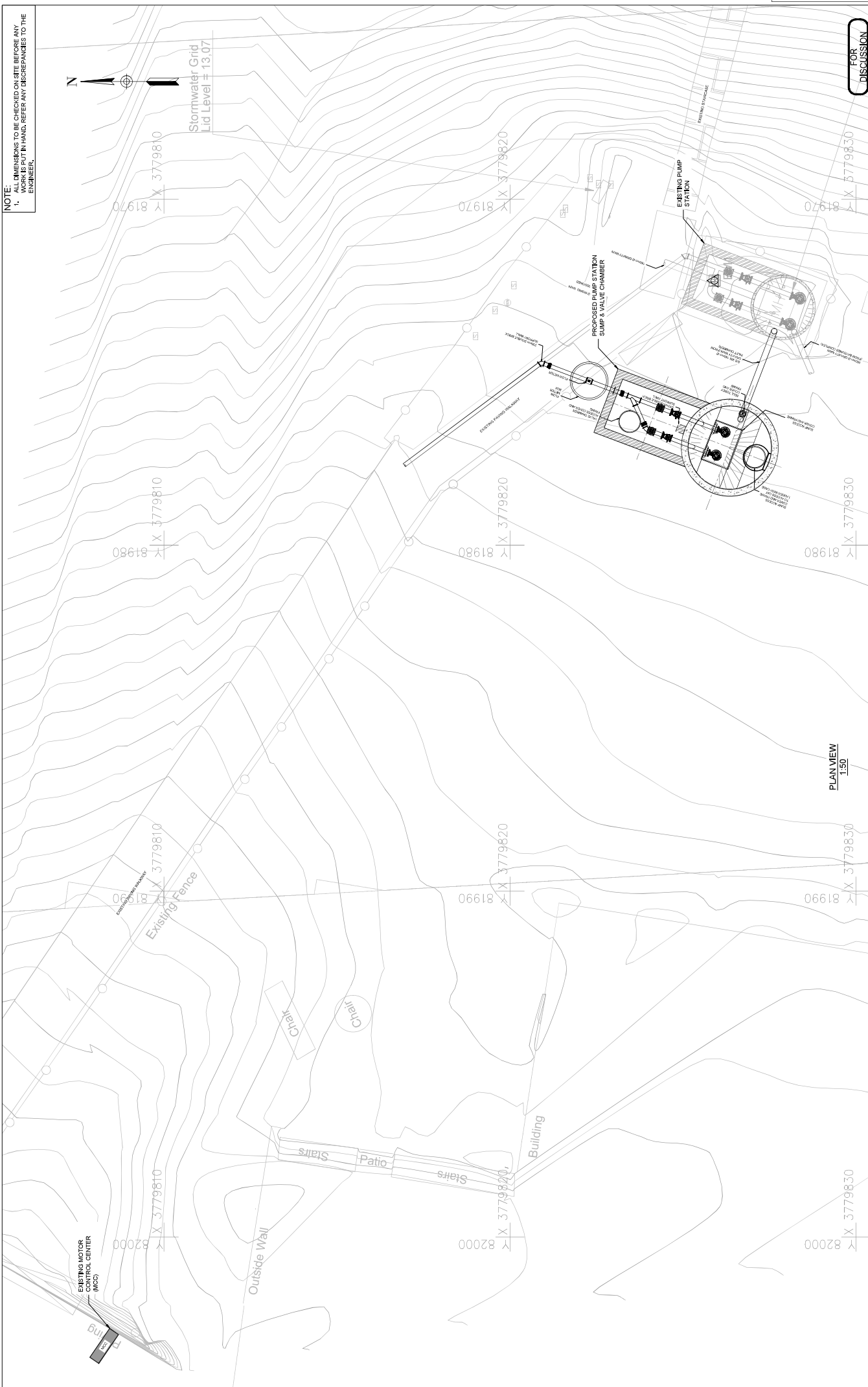
  

SIGNED	Mossel Bay Municipality
DATE	

SCALE	AS SHOWN
PROJECT DRAWING NUMBER	C1946 - S00 - 003
REVISION	AB00
SHEET NO.	01 OF 01





**NOTE:**  
1. ALL DIMENSIONS TO BE CHECKED ON SITE BEFORE ANY WORK IS PUT IN HAND. REFER ANY DISCREPANCIES TO THE ENGINEER.

SCALE	AS SHOWN
PROJECT DRAWING NUMBER	C1946 - S00 - 004
REV	AB00
SHEET No.	01 OF 01

**BAYDUNES SEWER PUMP STATION**  
**EXISTING PUMP STATION SUMP,**  
**NEW PROPOSED PUMP STATION**  
**AND VALVE CHAMBER**

SIGNED: ahc  
DATE:

**Mossel Bay**  
MUNICIPALITY  
191 Marsh Street  
Mossel Bay 6500  
Tel: (044) 606 5000  
Fax: (044) 856 5582

**SMEC**  
South Africa  
Member of the Sutherland Group  
PO Box 10633  
George 6520  
email: george@smec.com  
website: www.smec.com

SIGNED: SMEC South Africa  
DATE:

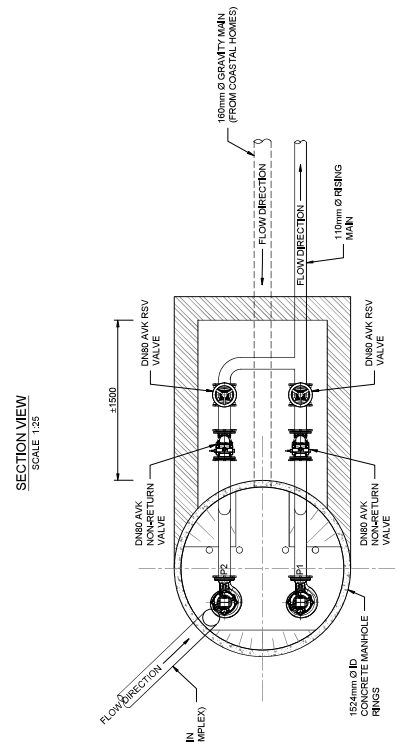
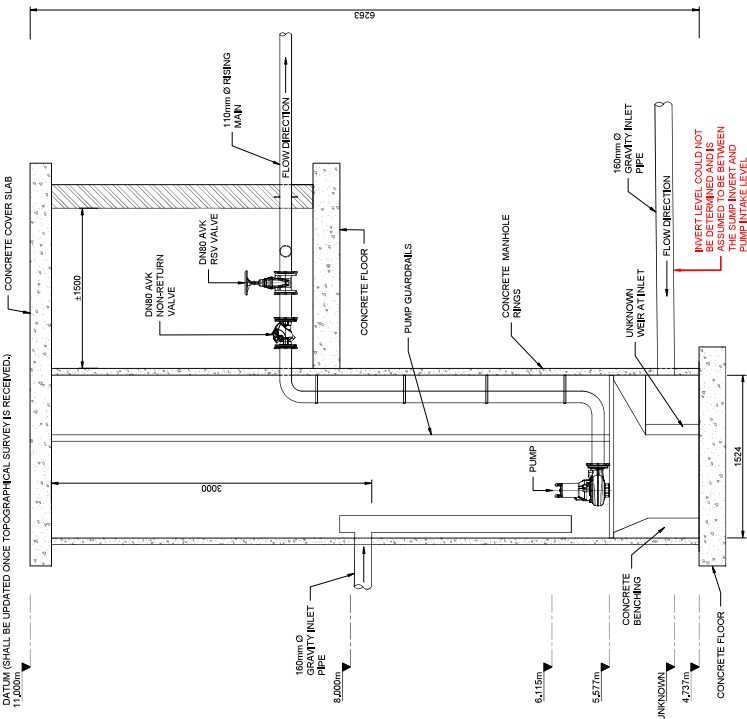
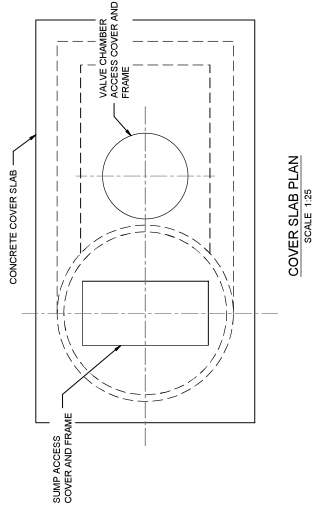
DESIGNED	J HOUGH
CHECKED	B BARTLETT
DRAWN	S HLOMELA
CHECKED	J HOUGH

NO.	DATE	DESCRIPTION
AB00	12-04-2023	DRAWING ISSUED FOR DISCUSSION

PLAN VIEW  
1:50

REVISIONS

**NOTE:**  
 1. ALL DIMENSIONS TO BE CHECKED ON SITE BEFORE ANY WORK IS PUT IN HAND. REFER ANY DISCREPANCIES TO THE DESIGNER.  
 2. ALL LEVELS ARE CALCULATED FROM APPROXIMATE DATUM LEVEL.



SCALE	AS SHOWN
PROJECT DRAWING NUMBER	C1946 - S00 - 001
REV	AB00
SHEET No.	01 OF 01

**BAYDUNES SEWER PUMP STATION**  
**EXISTING PUMP STATION**  
**SUMP AND VALVE CHAMBER DETAILS**

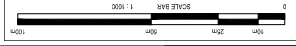
SIGNED: Mossel Bay Municipality  
 DATE:

**Mossel Bay**  
 MUNICIPALITY  
 191 Marsh Street  
 Mossel Bay 6500  
 Td (044) 656 5000  
 Fax (044) 656 5052

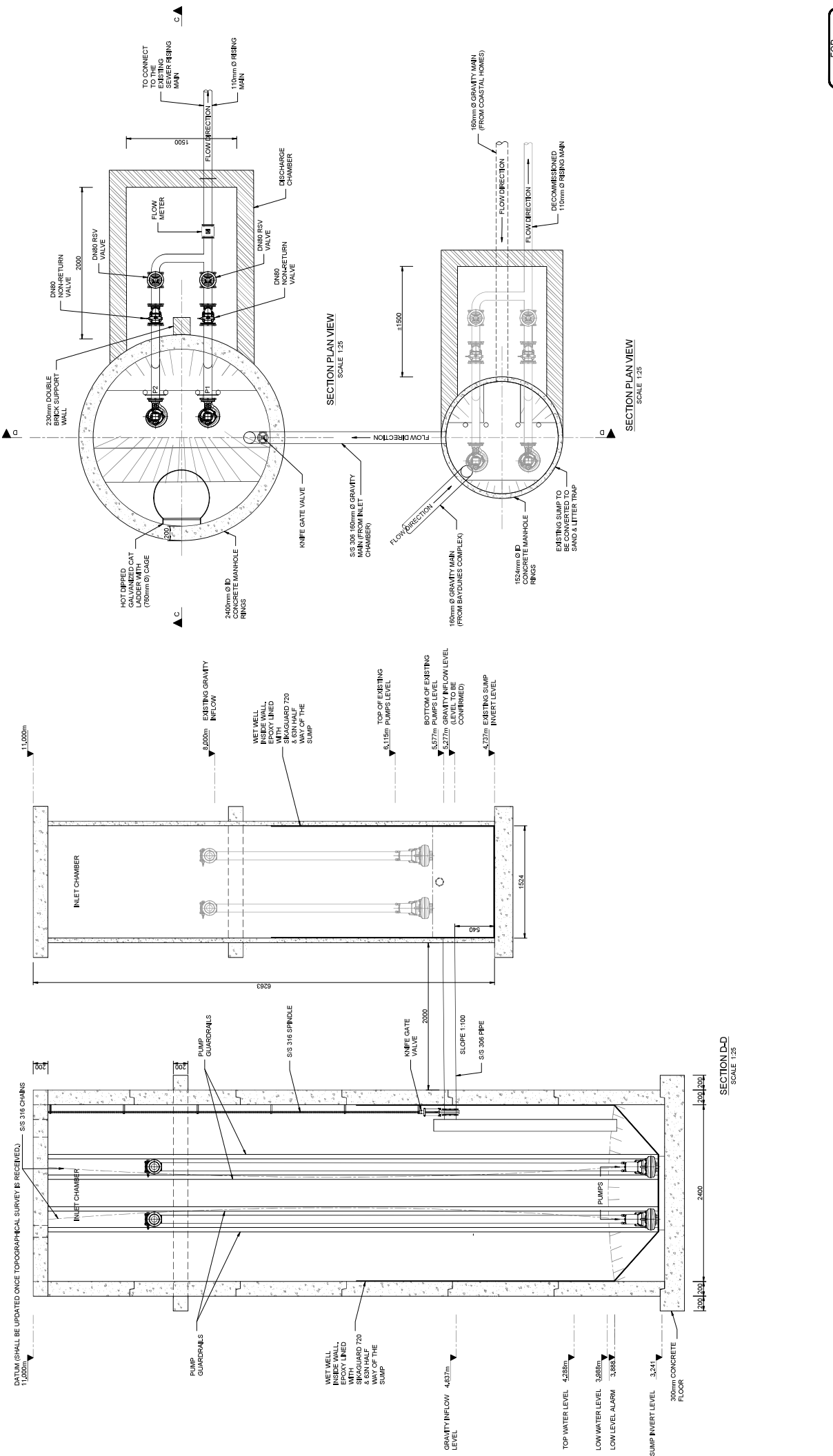
**SMEC**  
 SOUTH AFRICA  
 Member of the saudiya-jumping Group  
 13 Progress St  
 George 6520  
 Td (044) 877-6020  
 email: admin@smec.co.za  
 Fax (044) 877-6088  
 website: www.smec.co.za

SIGNED: SMEC South Africa  
 DATE:

DESIGNED	CHECKED	DRAWN	CHECKED	INITIAL	DESCRIPTION
J HOUGH	B BARTLETT	B LANGA	J HOUGH		
AB00	10-03-2023				DRAWING ISSUED FOR DISCUSSION
NO.	DATE				



**NOTE:**  
 1. ALL DIMENSIONS TO BE CHECKED ON SITE BEFORE ANY WORK IS PUT IN HAND. REFER ANY DISCREPANCIES TO THE CLIENT IMMEDIATELY.  
 2. ALL LEVELS ARE CALCULATED FROM APPROXIMATE DATUM LEVEL.



**FOR DISCUSSION**

SCALE: AS SHOWN  
 PROJECT DRAWING NUMBER: C1946 - S00 - 002  
 SHEET No. 1 OF 1

**BAYUNES SEWER PUMP STATION**  
**EXISTING AND PROPOSED PUMP STATION SUMP AND VALVE CHAMBER CONFIGURATION**

SIGNED: Mossel Bay Municipality  
 DATE:

**Mossel Bay MUNICIPALITY**  
 101 Marsh Street  
 Mossel Bay 6500  
 Td (044) 656 5000  
 Td (044) 656 5000  
 Fax (044) 656 5002

**SMEC SOUTH AFRICA**  
 Member of the smec group  
 13 Progress St  
 George 6520  
 Td (044) 872-8028  
 Td (044) 872-8028  
 Fax (044) 872-8088  
 website: www.smeccsa.co.za

SIGNED: SMEC South Africa  
 DATE:

DESIGNED	J HUGH	CHECKED	B BARTLETT	DRAWN	S HLOMELA	CHECKED	AB00
NO.	10-03-2023	DATE	JH	DRAMING ISSUED FOR APPROVAL	INITIAL	DESCRIPTION	
REVISIONS							