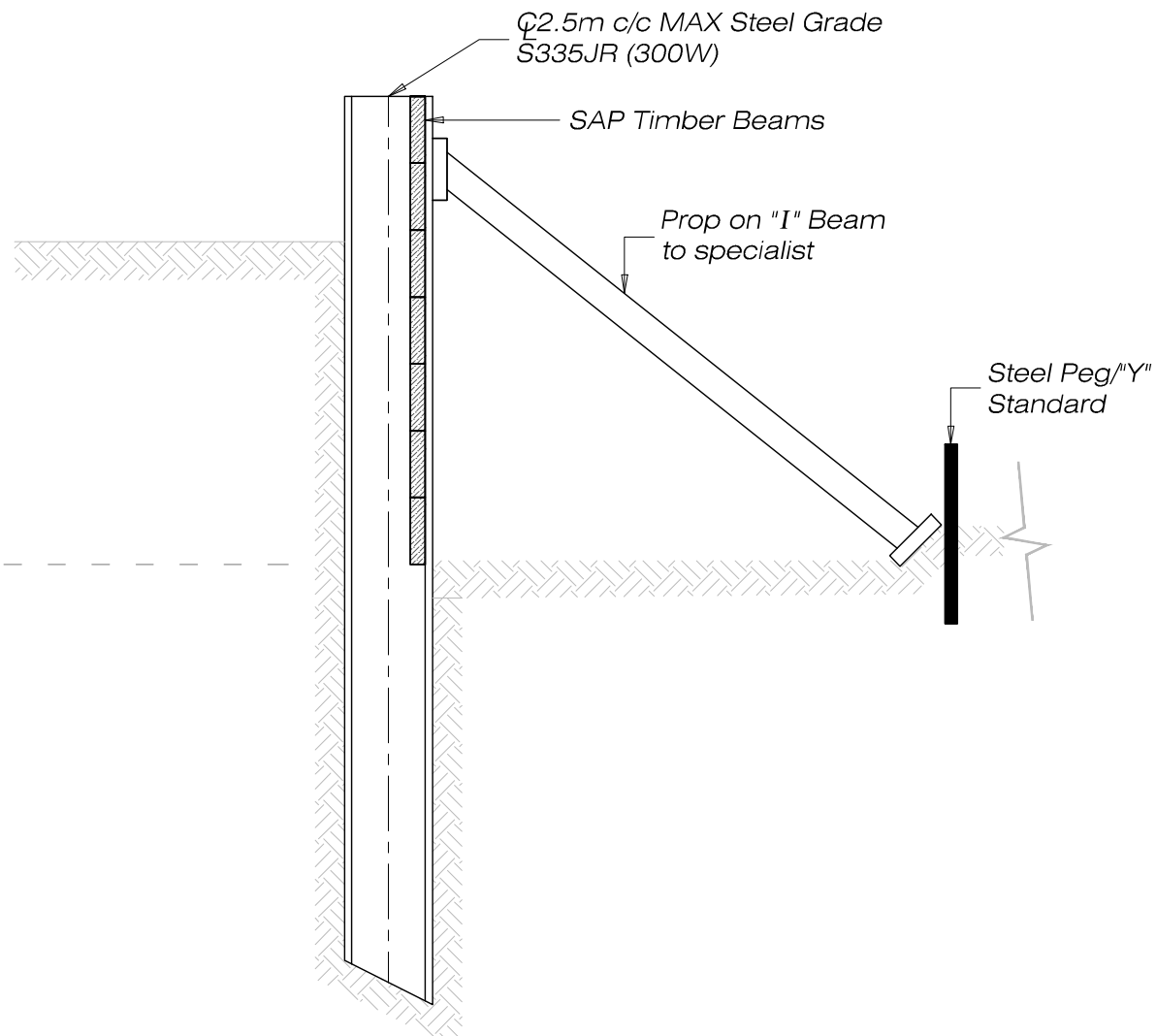


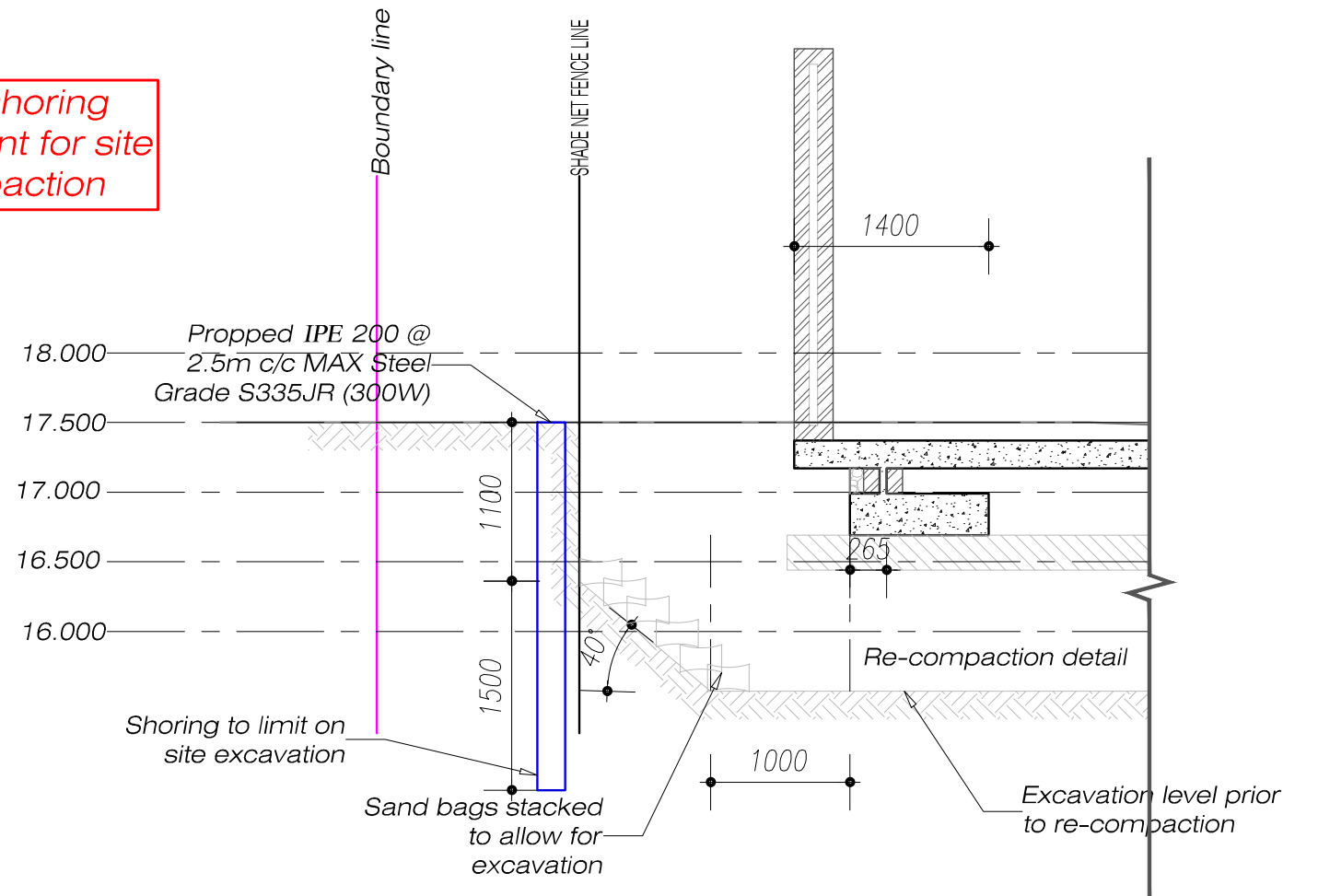
Legend	
Water main	—
Ø75mm Class 12 uPVC water main	- - - -
Ø50mm Class 9 uPVC water main	- - - -
Gate Valve	⊗
Pressure Reducing Valve	⊕
Fire Hydrant	⊗
Ø160mm Sewer main	- - - -
Ø100mm Sewer main	- - - -
Conservancy Tank	⊠
Ø160mm uPVC Class 34 HD Sewer main	- - - -
Ø110mm uPVC	- - - -
Rodding Eye	○
Sewer Manhole	⊗
Convert Existing Conservancy Tank To Sewer Pumpstation	PS1
Existing Gravel Road Centreline	- - - -
New Gravel Road	—
New Paved Road	—

Project	Athena Estate	
For	Proposed Development Ptn 66 & 67 of 443 Plettenberg Bay Athena Estate	
Description	Proposed Sewer & Stormwater layout	
Scale	1:250	
Prepared By	KD	
Date	20 - 10 - 2022	Drw No B1b
Project No.	TP790/8725/05-20	Rev P02

a'



Typical shoring arrangement for site re-compaction



Typical Shoring Detail to minimize environmental damage

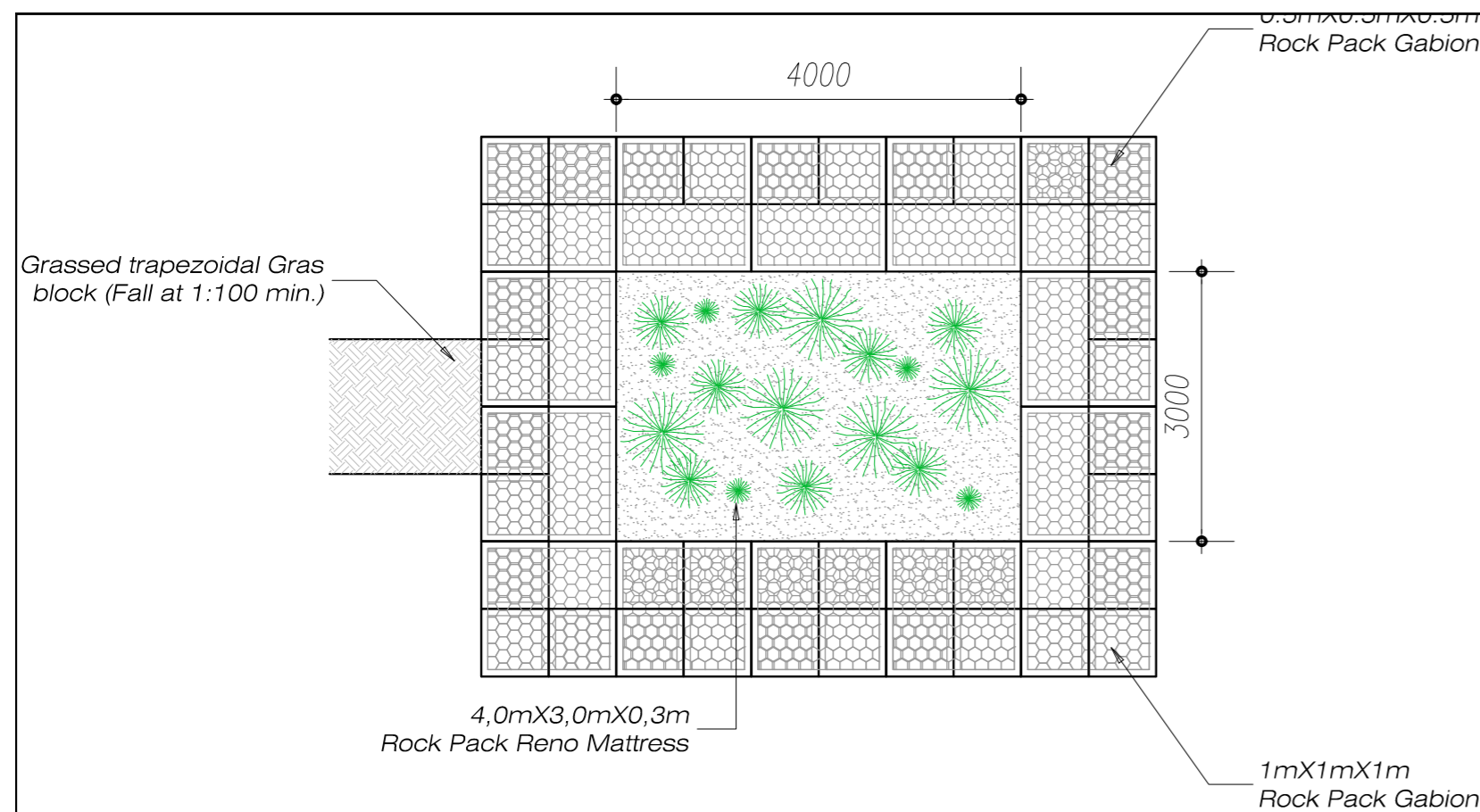
NTS

TUINIQUA
 Tuiniqua (Pty) Ltd Reg. 2001/011886/07
 Ph (+27) 44 533 6369 Email engineer@tuiniqua.co.za
 Fax (+27) 44 533 2858 Web www.tuiniqua.co.za

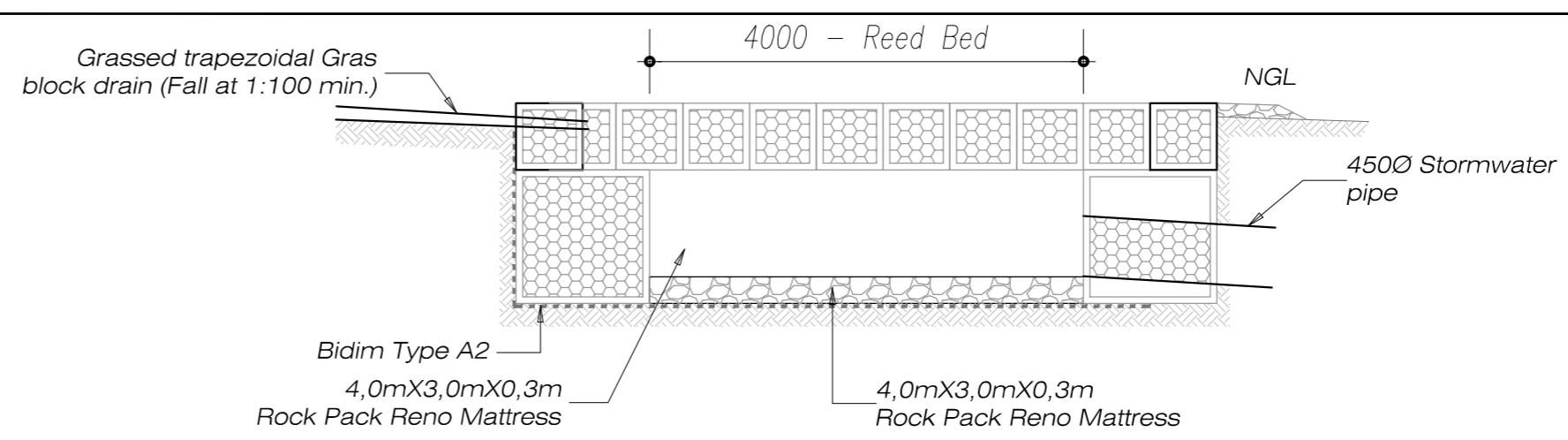
Project
Proposed Development on Ptn 66&67/443 Plettenberg Bay Athena

Layout Description
Proposed Shoring Detail

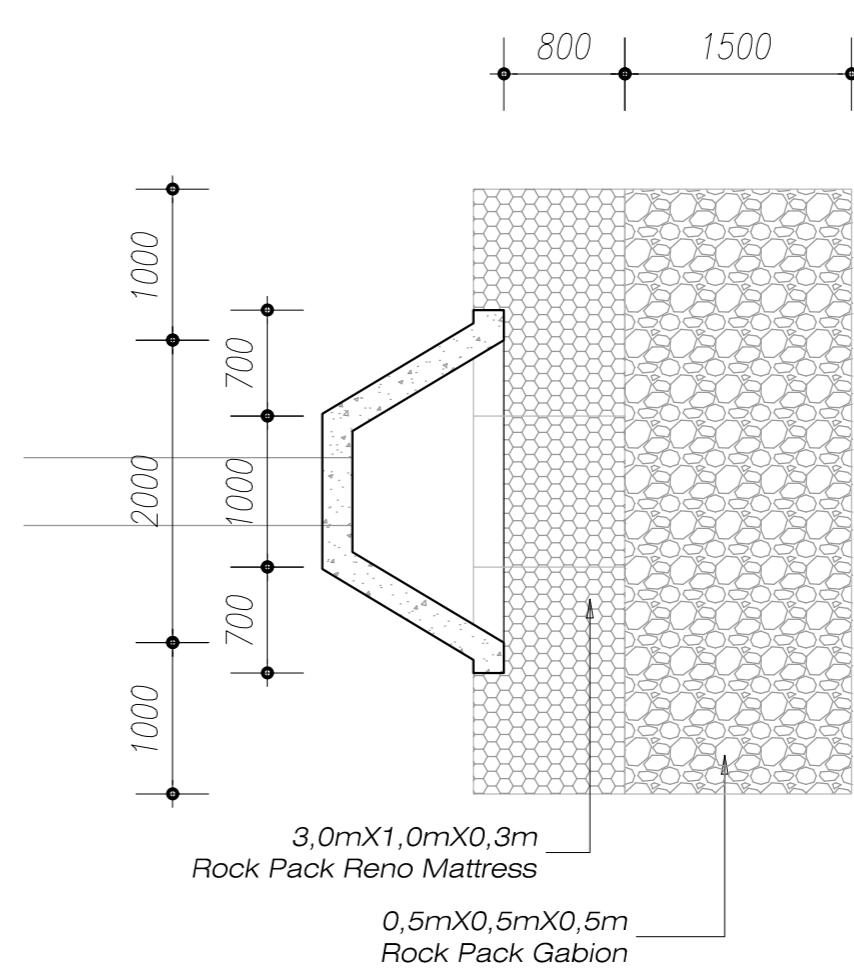
Scale:	AS SHOWN
Prepared By	KD
Proj No	TP750/13-304/10-22
Date	20/10/2022
Dir	D1
Rev	2



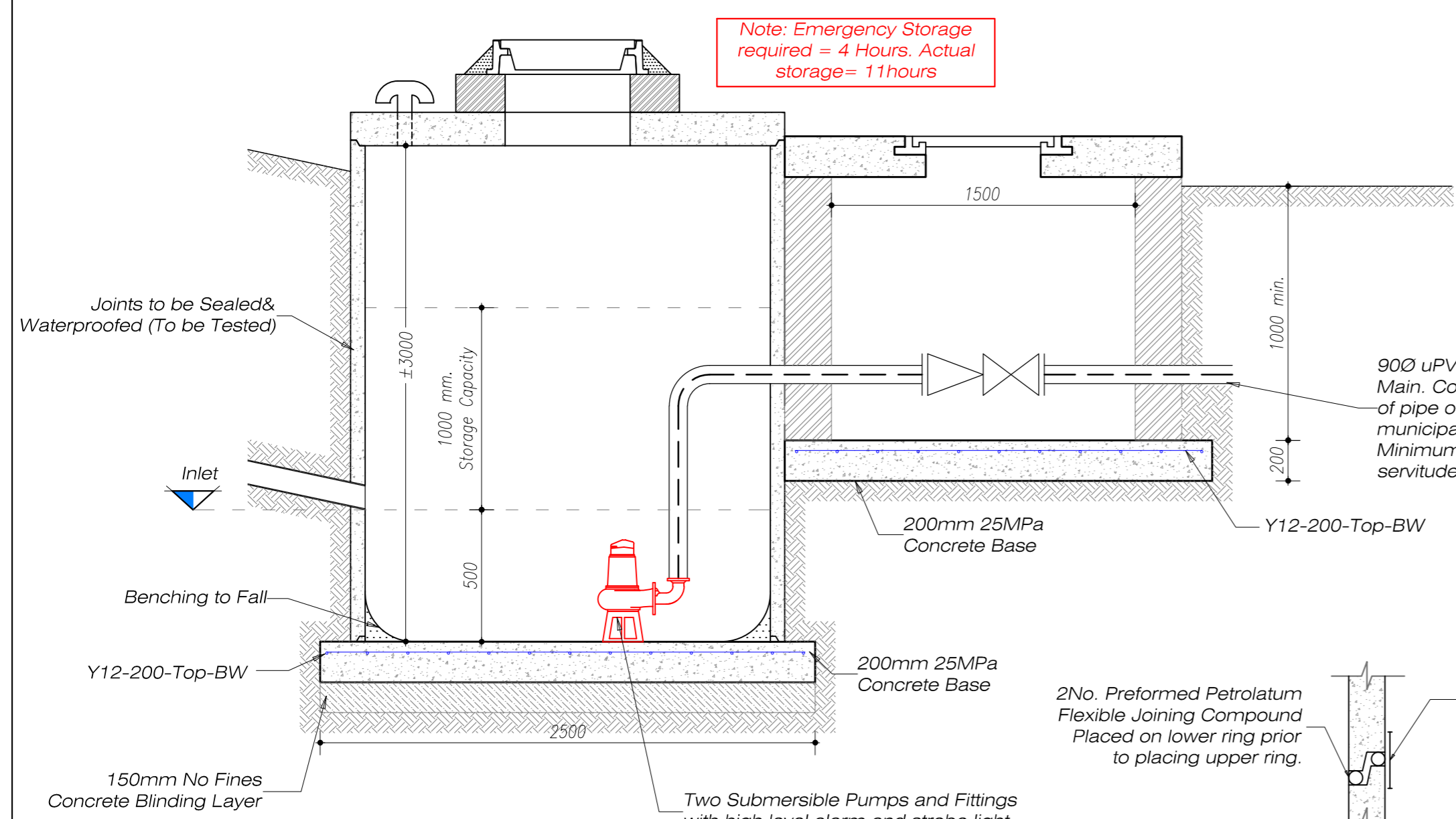
Gabion Silt Trap Detail 1
NTS



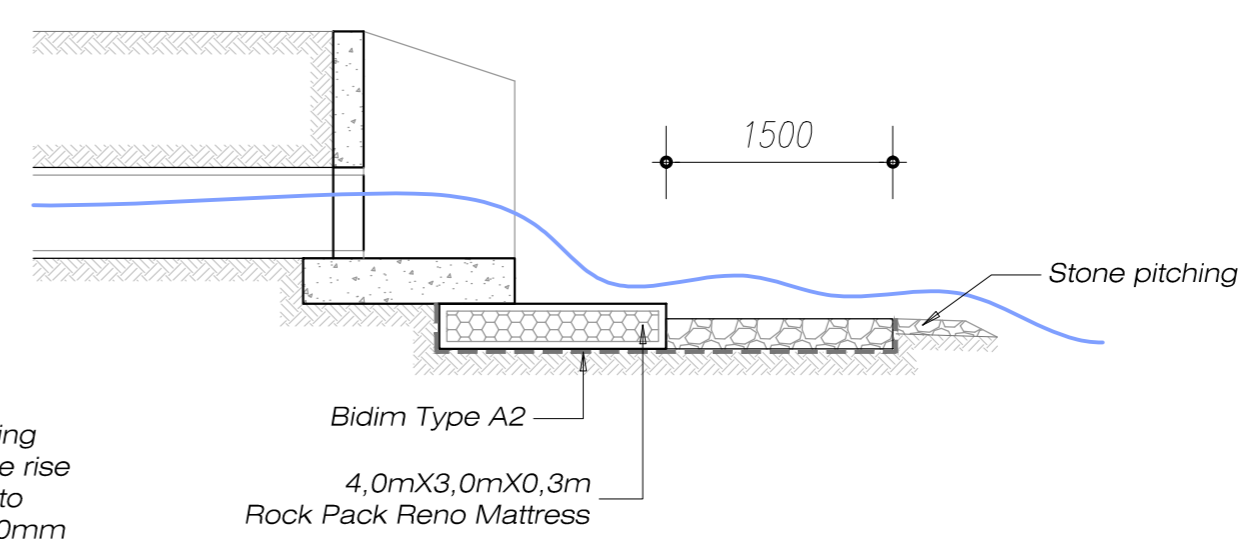
Typical Section Detail 1
NTS



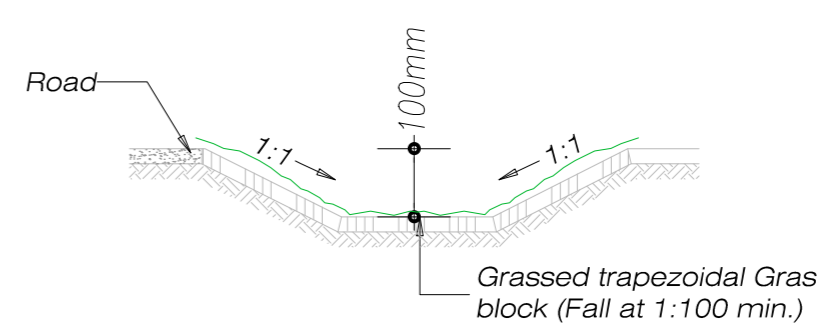
Headwall Outlet Detail 2
NTS



Sewer Pump Station Section
NTS



Typical Headwall Detail 2
NTS



Typical Grass Block Side Drain Detail 2
NTS

Revisions		Date
No.	Detail	

A	Revised Services	22-03-07
---	------------------	----------

TUINQUA
 Tuiniqua (Pty) Ltd Reg. 2001/011886/07
 Ph: (+27) 44 533 6369 Email: engineer@tuiniqua.co.za
 Fax: (+27) 44 533 2858 Web: www.tuiniqua.co.za

Project
Athena

For
Proposed Sewer System on Ptn 66&67/443 Plettenberg Bay Athena

Description
Proposed Detail Sewer/Stormwater

Scale: **AS SHOWN**

Prepared By: **KD** Approved By: _____
 F. Scholtz Pr. Eng. Reg. no. 970144

Date 20 - 10 - 2022	Dwg No B1a
Project No. TP750/13-304/10-22	Rev 2